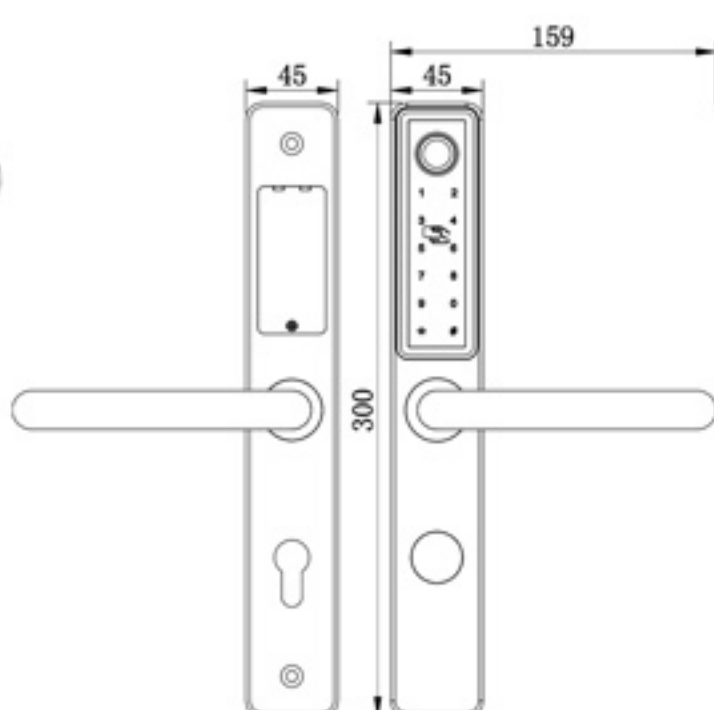




YGS-6676 Residential lock Series

Bluetooth

Fingerprint door lock with password and bluetooth unlock function. It is an ideal solution for your cylindrical lock or tubular latch upgrade.



FEATURES

Material	No.304 Stainless Steel
Mortise	European Mortises
Door thickness	30-100mm
Power	6V(Alkaline AA battery x4)
Battery life Time	5000~6000 times
Emergency power	Micro-USB
Operating temperature	-15°C~55°C
Fingerprint sensor	Semiconductor
Password	6 Digits
Mechanical key	2 keys



Access Ways



BT key



Card unlocking



Fake Password



Voive Navigation



Free Handle



Intrusion prevention



Low Battery Alert



Touch keypad



Auto lock



Dual security



User management



Emergency mechanical lock hidden behind a flap on the front. This lock allows to open the door without the need of a card in case of emergency. It will be helpful when the computer is broken or the lock in the state of misoperation.

Key-alike type and key-different type are optional.



The black plastic part makes unlocking silently.

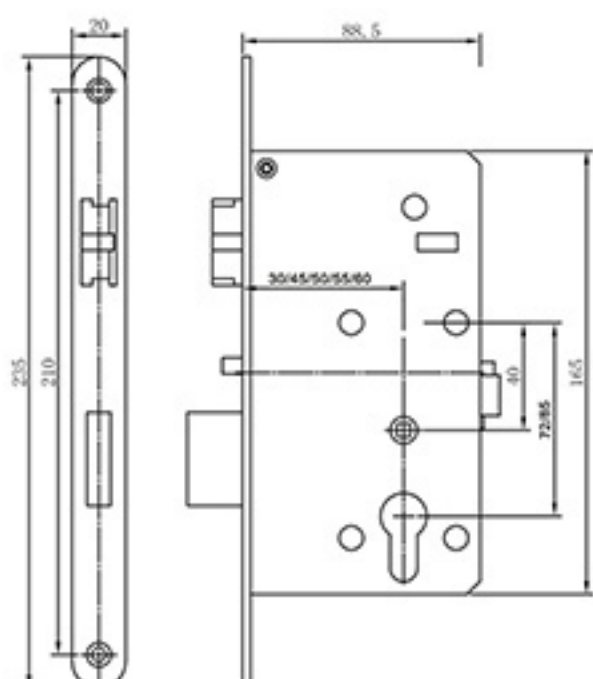
The anti-card latch prevents its opening by this technique.



Interior anti-panic latch. It retracts automatically when the door is opened from the inside.

MORTISE

European mortise



(Unit:mm)

